



BROKIS®

MEMORY

CM12217

WALL PC881, PC880, PC879



Download

COMPONENTS OF PACKAGING:

1x glass shade
1x metal fixture
1x metal string pull
1x installation manual

WARNING:

Installation must be carried out by a qualified electrician only.

Switch off power at main circuit panel prior to installation!

The manufacturer assumes no liability for damage occurring during transport or resulting from incorrect assembly. When unpacking the light, do so with regard for its material composition.

Instalation time: 30 minutes /1 person



BROKIS®

BROKIS S.R.O.
ŠPANILOVA 1315/25
163 00 PRAHA 6 - ŘEPY
CZECH REPUBLIC

ORG. ID 64940799
VAT ID CZ64940799
C 42174 MĚSTSKÝ SOUD
V PRAZE

TEL +420 567 211 517
TECHNICAL@BROKIS.CZ
INFO@BROKIS.CZ
WWW.BROKIS.CZ



CLEANING THE GLASS

BROKIS applies the highest possible quality standards in manufacturing its lights. Prior to shipping, each light undergoes several quality controls and stages of cleaning. Lights may require additional cleaning as a result of transportation, storage, and the amount of time that passes between packing in our plant and subsequent unpacking by the client. Therefore, we emphasize cleaning the lights prior to installation.

The glass must first be rinsed in hot water, with a dilution of a dish-detergent used to remove all foreign particles and dust. Eventually repeat this basic treatment, if necessary. Afterwards the glass must have a second cleaning using hot water, with a dilution of a de-greaser (such as ammonia or vinegar). The glass must then be thoroughly rinsed with running hot water. Eventually repeat this treatment, if necessary. The glass is then thoroughly dried with a paper towel or a clean soft cotton towel. Only re-assemble the glass to the lamp body, when completely cooled down.

Do not use mineral spirits, highly concentrated thinners, or other substances not intended for use on glass surfaces. Also: do not use products, containing silicones – since they will rapidly attract more dust and grease.

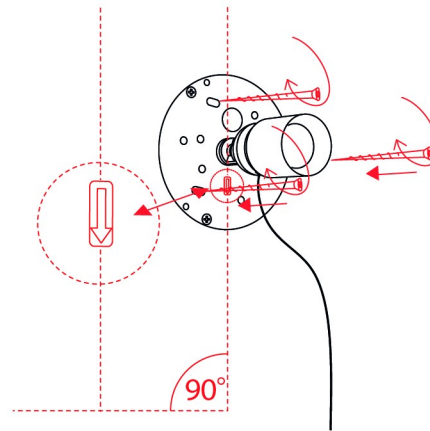
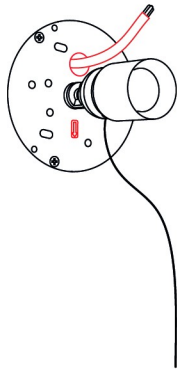
PRIOR TO SHIPPING, THE FUNCTIONALITY OF EACH LIGHT AND ITS COMPONENTS IS THOROUGHLY TESTED. THE MANUFACTURER ASSUMES NO LIABILITY FOR THE MISHANDLING OF PRODUCTS.



1. MOUNTING THE METAL FIXTURE

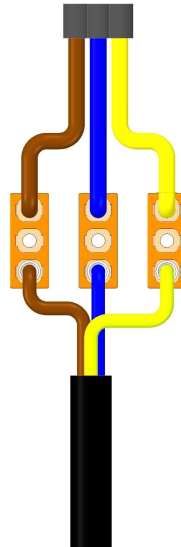
Pull the power cable through the opening in the metal fixture. Using screws and wall plugs (not included), mount the metal fixture on the wall. Care must be taken to ensure that the fixture is mounted perpendicular to the floor.

With regard to various types of walls, we recommend consulting installation with an expert. The manufacturer assumes no liability for incorrect installation or defects in the material to which the light is mounted.



2. CONNECTING THE LIGHT TO THE BUILDING WIRING

Connect the light to the building wiring according to the connection diagram.

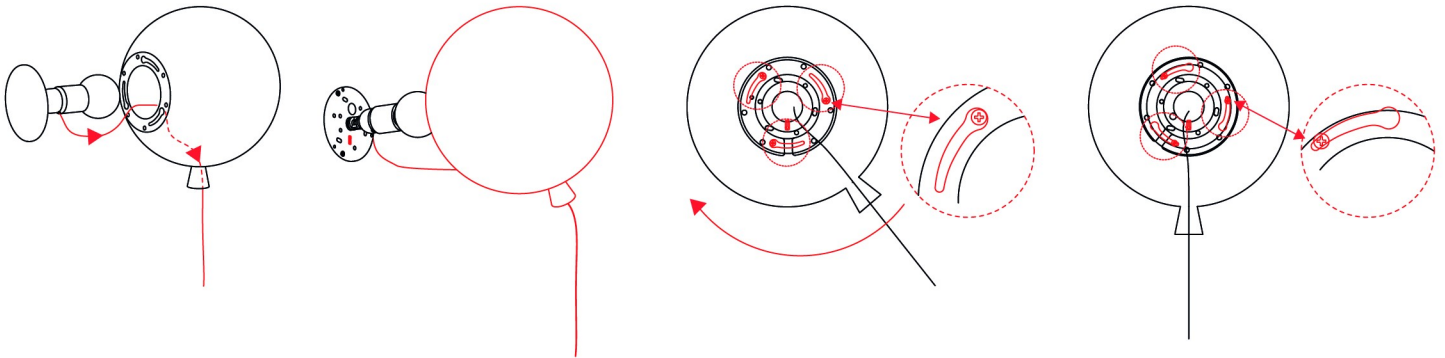


3. ATTACHING THE GLASS SHADE

Pass the string hanging from the metal light fixture through first the large opening and then the small opening in the glass shade.

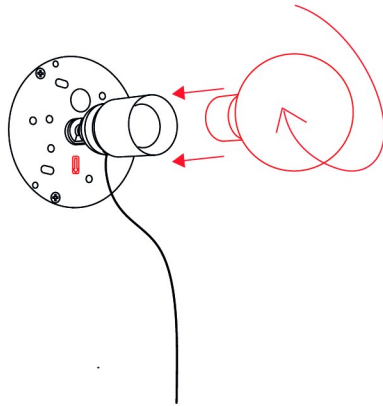
Connect the ground wire with FASTON terminal to the shade mounting ring.

Position the glass shade on the metal light fixture so that the screws pass through the openings in the shade mounting ring. Gently rotate the glass shade clockwise until it is secured firmly to the metal light fixture.



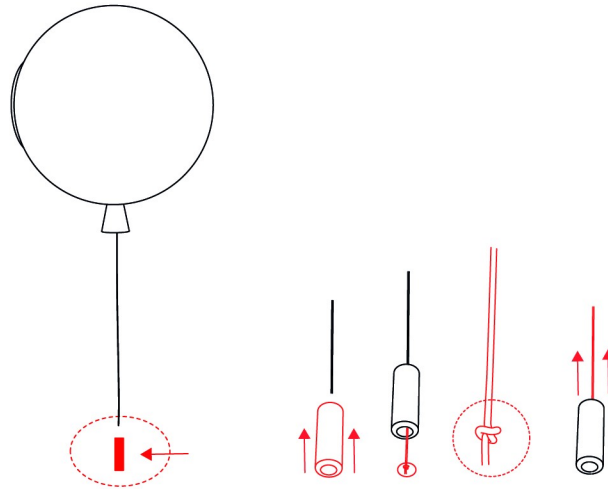
4. INSTALLING THE LIGHT SOURCE

Install the light source (not included).



5. INSTALLING THE METAL STRING PULL

Pass the string through the metal string pull and secure with a knot.



6. SWITCHING ON THE LIGHT

Restore power at the main circuit panel and verify that the light works properly.

